

16 GAUGE STAINLESS STEEL OPEN BASE WORK TABLES WITH 4" BACKSPLASH

REGENCY
Stainless Steel Commercial
Tables And Sinks



FEATURES

- Smooth type 304 stainless steel work surface makes cleaning a breeze
- 4" backsplash to protect posterior wall
- Stainless steel legs, cross bracing, and hat channels provide unparalleled stability
- Adjustable bullet feet ensure leveling on uneven surfaces
- Simple assembly and installation requires little effort

SPECIFICATIONS



ITEM	LENGTH	WIDTH	WORK HEIGHT	TOP SHELF CAPACITY	WEIGHT
600WT24X30BS	30"	24"	34"	500 lb.	39 lb.
600WT24X36BS	36"	24"	34"	530 lb.	44 lb.
600WT24X48BS	48"	24"	34"	560 lb.	53 lb.
600WT24X60BS	60"	24"	34"	580 lb.	63 lb.
600WT24X72BS	72"	24"	34"	600 lb.	72 lb.
600WT24X84BS	84"	24"	34"	740 lb.	84 lb.
600WT24X96BS	96"	24"	34"	760 lb.	93 lb.
600WT24108BS	108"	24"	34"	780 lb.	97 lb.
600WT24120BS	120"	24"	34"	800 lb.	104 lb.
600WT30X30BS	30"	30"	34"	550 lb.	45 lb.
600WT30X36BS	36"	30"	34"	570 lb.	52 lb.
600WT30X48BS	48"	30"	34"	600 lb.	62 lb.
600WT30X60BS	60"	30"	34"	620 lb.	73 lb.
600WT30X72BS	72"	30"	34"	640 lb.	83 lb.
600WT30X84BS	84"	30"	34"	780 lb.	96 lb.
600WT30X96BS	96"	30"	34"	800 lb.	106 lb.
600WT30108BS	108"	30"	34"	820 lb.	116 lb.
600WT30120BS	120"	30"	34"	840 lb.	126 lb.

NOTE: 84", 96", 108" & 120" Work Tables Feature (6) Six Legs for Added Stability

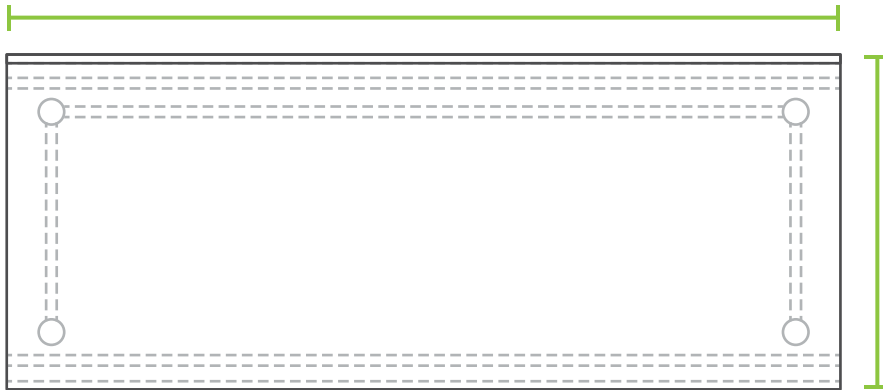
REGENCYTABLESANDSINKS.COM

16 GAUGE STAINLESS STEEL OPEN BASE
WORK TABLES
WITH 4" BACKSPLASH

REGENCY
Stainless Steel Commercial
Tables And Sinks

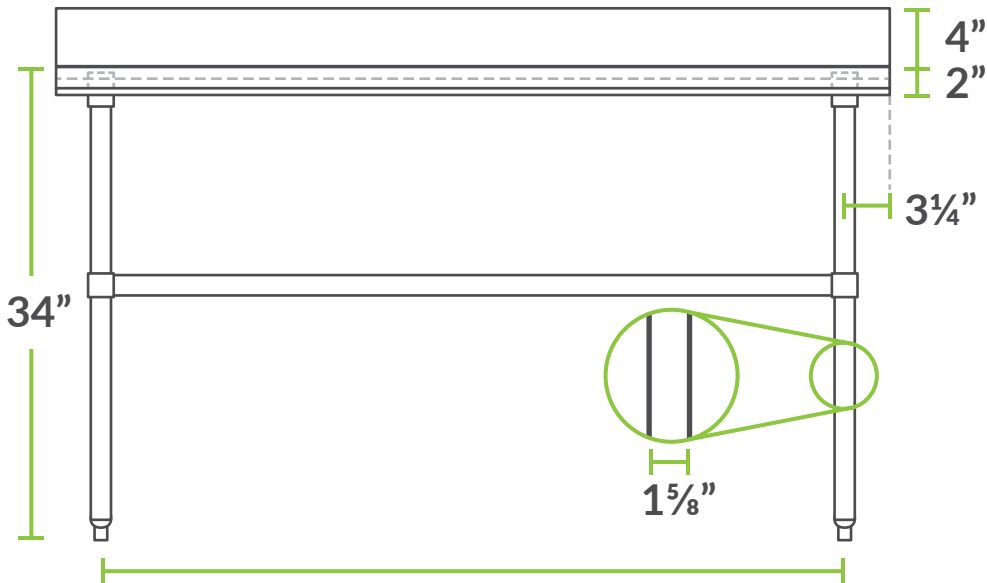


TOP
LENGTH



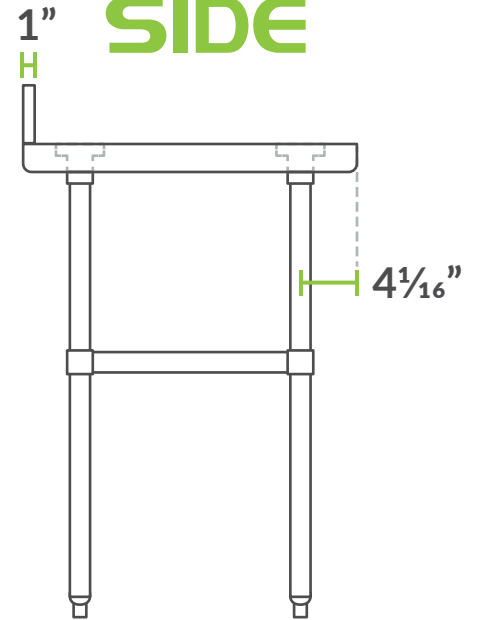
WIDTH

FRONT



LENGTH - 6 1/2"

1" SIDE



WIDTH - 8 1/8"

CASTERS & FEET

ITEM	DESCRIPTION	#/PACK
600CASTER4	5" Swivel Stem Casters	4
600CASTER6	5" Swivel Stem Casters	6
600CASTERHD4	5" Heavy-Duty Swivel Stem Casters	4
600CASTERHD6	5" Heavy-Duty Swivel Stem Casters	6
600PABF	Adjustable Plastic Bullet Foot	1
600SPABF	Adjustable Stainless Steel Bullet Foot	1
600SSFF	3¼" Stainless Steel Flanged Foot	1

UNDERSHELVES

ITEM	DIMENSIONS	FITS
600UT1824S	18"L x 12"W	24"L x 18"W Work Tables
600UT1830S	24"L x 12"W	30"L x 18"W Work Tables
600UT1836S	30"L x 12"W	36"L x 18"W Work Tables
600UT1848S	42"L x 12"W	48"L x 18"W Work Tables
600UT1860S	54"L x 12"W	60"L x 18"W Work Tables
600UT1872S	66"L x 12"W	72"L x 18"W Work Tables
600UT2424S	18"L x 18"W	24"L x 24"W Work Tables
600UT2430S	24"L x 18"W	30"L x 24"W Work Tables
600UT2436S	30"L x 18"W	36"L x 24"W Work Tables
600UT2448S	42"L x 18"W	48"L x 24"W Work Tables
600UT2460S	54"L x 18"W	60"L x 24"W Work Tables
600UT2472S	66"L x 18"W	72"L x 24"W Work Tables
600UT2484S	78"L x 18"W	84"L x 24"W Work Tables
600UT2496S	90"L x 18"W	96"L x 24"W Work Tables
600UT3030S	24"L x 24"W	30"L x 30"W Work Tables
600UT3036S	30"L x 24"W	36"L x 30"W Work Tables
600UT3048S	42"L x 24"W	48"L x 30"W Work Tables
600UT3060S	54"L x 24"W	60"L x 30"W Work Tables
600UT3072S	66"L x 24"W	72"L x 30"W Work Tables
600UT3084S	78"L x 24"W	84"L x 30"W Work Tables
600UT3096S	90"L x 24"W	96"L x 30"W Work Tables
600UT3636S	30"L x 30"W	36"L x 36"W Work Tables
600UT3648S	42"L x 30"W	48"L x 36"W Work Tables
600UT3660S	54"L x 30"W	60"L x 36"W Work Tables
600UT3672S	66"L x 30"W	72"L x 36"W Work Tables
600UT3696S	90"L x 30"W	96"L x 36"W Work Tables

CASTERS

Each set of Regency casters lets you turn any work table or equipment stand with 4 or 6 standard legs into a mobile work station. With a total weight capacity of 1200 to 1600 lb., these wheels can stand the toughest of tests and are sure to meet your needs. Take your table or equipment on the go and then keep it secure with the flip of a lever, conveniently placed at foot level for easy locking and unlocking.

BULLET FEET

Make sure your table, compartment sink, or dishtable is level and stable by replacing a missing or broken bullet foot with these Regency Bullet Feet! They are designed to fit equipment with 1½" outer diameter legs and are adjustable so they can accommodate uneven floors.

FLANGED FEET

If you need to bolt your Regency equipment to the floor for added stability during use, this flanged 3¼" seismic foot is the perfect solution! It is designed to swap out easily for an existing foot on Regency products with legs that measure 1½" in outer diameter. Feet like these are typically used to comply with local codes, which require you to secure equipment to the floor, and in situations where keeping your equipment immobile could be useful, like on a food truck.



UNDERSHELVES

Add extra storage space and organization to your kitchen with a Regency adjustable stainless steel work table undershelf! Undershelves provide additional storage for frequently used items like prep tools, cutting boards, bar towels, oven mitts, pans, and trays. These undershelves are adjustable, so you can move them higher or lower to accommodate items of varying sizes. Made of 18 gauge, type 430 stainless steel, Regency undershelves ensure maximum durability and corrosion resistance, and are easy to clean and sanitize.



OVERSHELVES

ITEM	TYPE	DIMENSIONS	FITS
600SOS1230	Single Deck	30"L x 12"W x 19¼"H	30"L Work Tables
600SOS1236	Single Deck	36"L x 12"W x 19¼"H	36"L Work Tables
600SOS1248	Single Deck	48"L x 12"W x 19¼"H	48"L Work Tables
600SOS1260	Single Deck	60"L x 12"W x 19¼"H	60"L Work Tables
600SOS1272	Single Deck	72"L x 12"W x 19¼"H	72"L Work Tables
600SOS1284	Single Deck	84"L x 12"W x 19¼"H	84"L Work Tables
600SOS1296	Single Deck	96"L x 12"W x 19¼"H	96"L Work Tables
600SOS1830	Single Deck	30"L x 18"W x 19¼"H	30"L Work Tables
600SOS1836	Single Deck	36"L x 18"W x 19¼"H	36"L Work Tables
600SOS1848	Single Deck	48"L x 18"W x 19¼"H	48"L Work Tables
600SOS1860	Single Deck	60"L x 18"W x 19¼"H	60"L Work Tables
600SOS1872	Single Deck	72"L x 18"W x 19¼"H	72"L Work Tables
600SOS1884	Single Deck	84"L x 18"W x 19¼"H	84"L Work Tables
600SOS1896	Single Deck	96"L x 18"W x 19¼"H	96"L Work Tables
600DOS1230	Double Deck	30"L x 12"W x 32"H	30"L Work Tables
600DOS1236	Double Deck	36"L x 12"W x 32"H	36"L Work Tables
600DOS1248	Double Deck	48"L x 12"W x 32"H	48"L Work Tables
600DOS1260	Double Deck	60"L x 12"W x 32"H	60"L Work Tables
600DOS1272	Double Deck	72"L x 12"W x 32"H	72"L Work Tables
600DOS1284	Double Deck	84"L x 12"W x 32"H	84"L Work Tables
600DOS1296	Double Deck	96"L x 12"W x 32"H	96"L Work Tables
600DOS1830	Double Deck	30"L x 18"W x 32"H	30"L Work Tables
600DOS1836	Double Deck	36"L x 18"W x 32"H	36"L Work Tables
600DOS1848	Double Deck	48"L x 18"W x 32"H	48"L Work Tables
600DOS1860	Double Deck	60"L x 18"W x 32"H	60"L Work Tables
600DOS1872	Double Deck	72"L x 18"W x 32"H	72"L Work Tables
600DOS1884	Double Deck	84"L x 18"W x 32"H	84"L Work Tables
600DOS1896	Double Deck	96"L x 18"W x 32"H	96"L Work Tables

DRAWERS

ITEM	EXTERIOR DIMENSIONS	INTERIOR DIMENSIONS
600DR2015	19½"L x 23¾"W x 5"H	15"L x 20"W x 5"H
600DR2020	25½"L x 23¾"W x 5"H	20"L x 20"W x 5"H

STAINLESS STEEL OVERSHELVES

Add extra storage space and organization to your kitchen with these Regency stainless steel overshelves! Available in single or double deck, their 18 gauge, type 430 stainless steel construction ensures long-lasting durability to stand up to repeated use. Installation is simple as the whole shelf easily mounts to the end of your table using the "L" brackets, set screws, and wrench provided.



DRAWERS

Keep your kitchen organized by mounting a Regency galvanized steel drawer to the under structure of your work table. Each drawer features an easy-to-clean stainless steel front and moves on ball-bearing sides.

