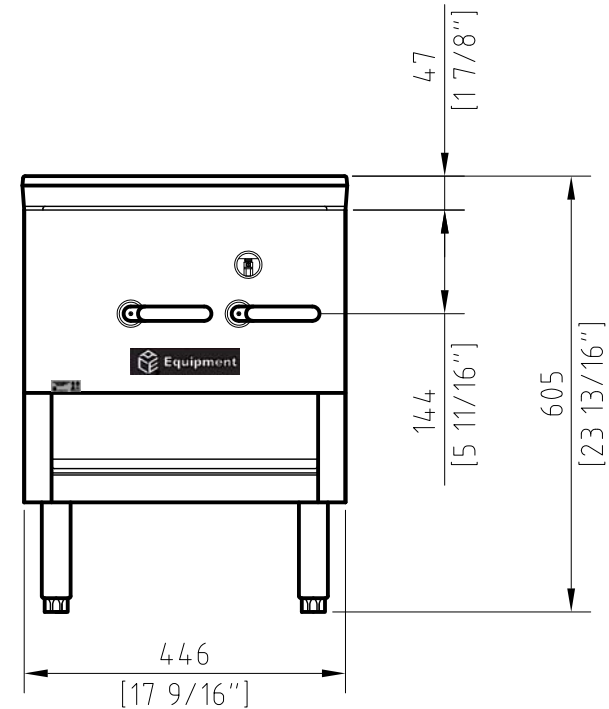
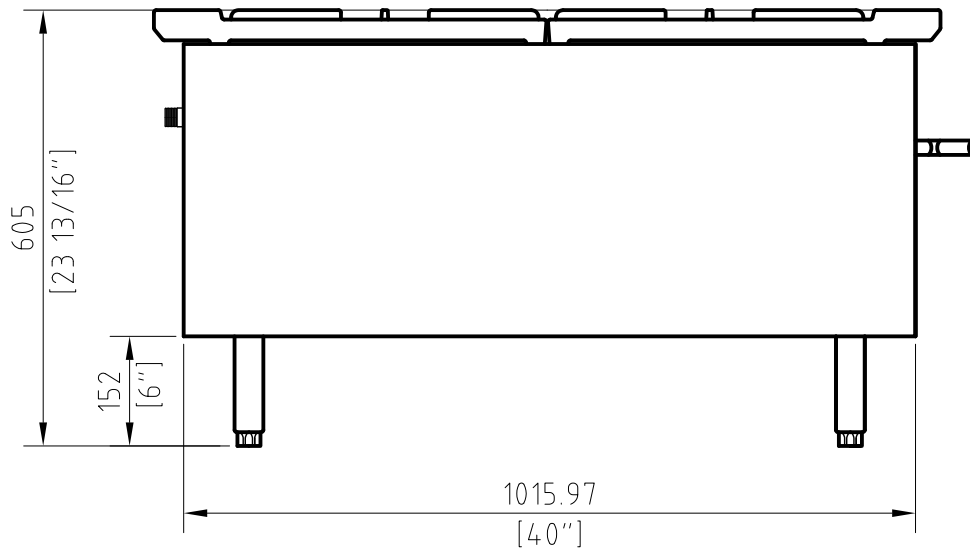
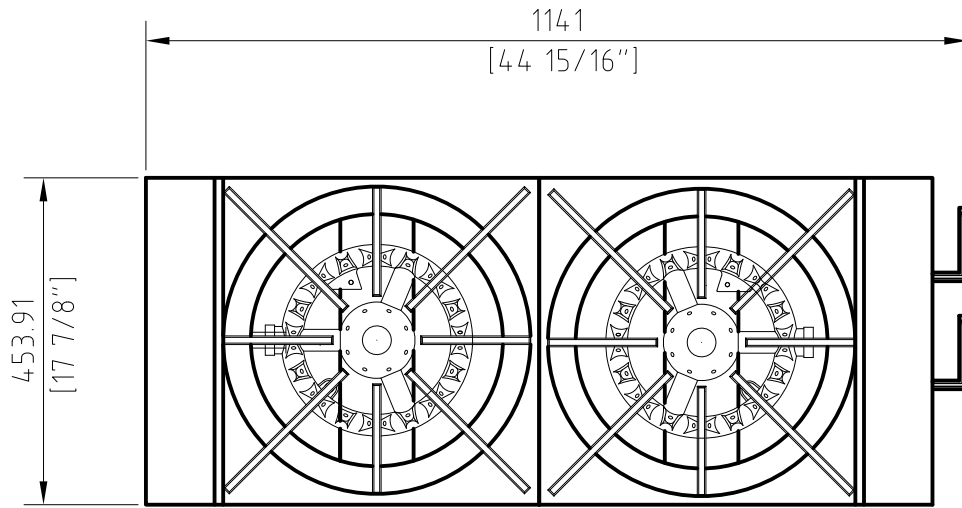


AESP2-23J24

18"Wx42"Dx24"H

23-Tips Jet Burner, Double Stock Pot Stove



Atlanta Culinary Equipment, Inc.

www.ATLequipment.com

2063 Mountain Industrial Blvd., Tucker, GA 30084, USA

